

# PARTS MANUAL

---

DEDICATED  
PUSH PULL NSS

---

Model No.: PANG035A1548

Serial No.: \_\_\_\_\_

# DEDICATED PLATEN PUSH NSS

Section 1. Customer Parts List .....	1-3
	1-4
Section 2. Assembly Drawings	
Link Assembly w/Arm Retention .....	2-5
Hydraulic Group PCG45 .....	2-6
Platen Group .....	2-7
Base Assembly .....	2-8
Section 3. Service Manual .....	3-1

Long Reach/Brudi Parts Department  
12300 Amelia Drive  
Houston, TX 77045  
Parts Phone: (800) 547-3174  
Fax: (713) 433-9710

## PARTS LIST

MODEL NO.: PANG035A1548

DESCRIPTION: DEDICATED PUSH PULL NSS

REFERENCE	PART NO.	DESCRIPTION	QUANTITY
ASSY DWG	090682	LINK ASSY W/ARM RETENTION D	1
ITEM 01	069266	BUSH GMAX 1.25X1.00X1.50 A	8
ITEM 02	073277	BUSH GMAX 1.25X1.00X1.00 A	4
ITEM 03	070026	BUSH GMAX 1.25X1.00X0.75 A	6
ITEM 04	442169	SLIDE BLOCK C	4
ITEM 05	01C-0616	CPSCR .38UNC X 1 GRD 5 PLTD	5
ITEM 06	04E-06	WASHER .38 LOCK SPLIT PLTD HB	5
ITEM 07	445404	PIN LOK .41 X 1.31 A	5
ITEM 08	01C-0836	CPSCR .50UNC X 2.25 GRD 5 PLTD	4
ITEM 09	17D-08	NUT .50UNC LOCK ESNA	4
ITEM 10	445023	PIN 1-HOLE 1.00 X 5.33 A	2
ITEM 11	445026	PIN 1-HOLE 1.00 X 2.75 A	2
ITEM 12	091963	BAR WDMT REAR REG B	1
ITEM 13	090680	REAR REG ARM RH C	1
ITEM 14	090681	REAR REG ARM LH C	1
ITEM 15	090677	FRONT REG WDMT D	1
ITEM 16	090679	ARM PUSH FRONT RH C	1
ITEM 17	090678	ARM PUSH FRONT LH C	1
ITEM 18	090673	REAR PUSHER WDMT B	1
ITEM 20	450067	PIN 1-HOLE 1.13 X 5.33 A	1
ITEM 22	17C-0824	CPSCR .50UNC X 1.5 H/H GRD 8	2
ITEM 23	07D-08	NUT .50UNC JAM	2
ITEM 24	092793	WASHER OILT 1.75X1.00X.12 A	4
ITEM 25	076844.11	RETAINER EXT 5160-98 HB	4
ITEM 26	092793.1	WASHER OILT 1.75X1.00X.06 A	4
PUSH RACK	445161	PUSH RACK 40W X 40H D	1
SEAL KIT	445071	KIT SEAL CYL 3.25 (1.5) A	1
W ASSY DWG	096000	HYD-GROUP PMG35 D	1
W ITEM 01	01C-0428	CPSCR .25UNC X 1.75 GRD 5 PLTD	2
W ITEM 03	27G-0608	CPSCR .38UNC X .50 B/H NYLOK	6
W ITEM 05	048448	CLAMP HOSE DBL 05 CDV-1013 A	1
W ITEM 06	17D-04	NUT .25UNC LOCK ESNA	2
W ITEM 07	17D-05	NUT .31UNC LOCK ESNA	5
W ITEM 08	51D-10	NUT .63UNC ESNA HEAVY THIN	2
W ITEM 09	15E-12	WASHER .75 FLAT SAE PLTD HB	2
W ITEM 10	850-0606	FTG ORING STR 06-06	12
W ITEM 11	824-060606	FTG 37 TEE UN 06-06-06	2
W ITEM 12	096010	HOSE GROUP PMG L	1
W ITEM 13	044418-29.00	HOSE ASSY 06-1W 06/06 A	2
W ITEM 14	065480-54.00	HOSE ASSY 06-1W 06/06 SPR GD A	2
W ITEM 15	044418-82.50	HOSE ASSY 06-1W 06/06 A	1
W ITEM 16	078178-41.00	HOSE ASSY 06-1W 06/06 90 A	1
W ITEM 17	078178-45.50	HOSE ASSY 06-1W 06/06 90 A	2
W ITEM 18	078178-50.00	HOSE ASSY 06-1W 06/06-90 A	1
W ITEM 19	044418-71.00	HOSE ASSY 06-1W 06/06 A	1

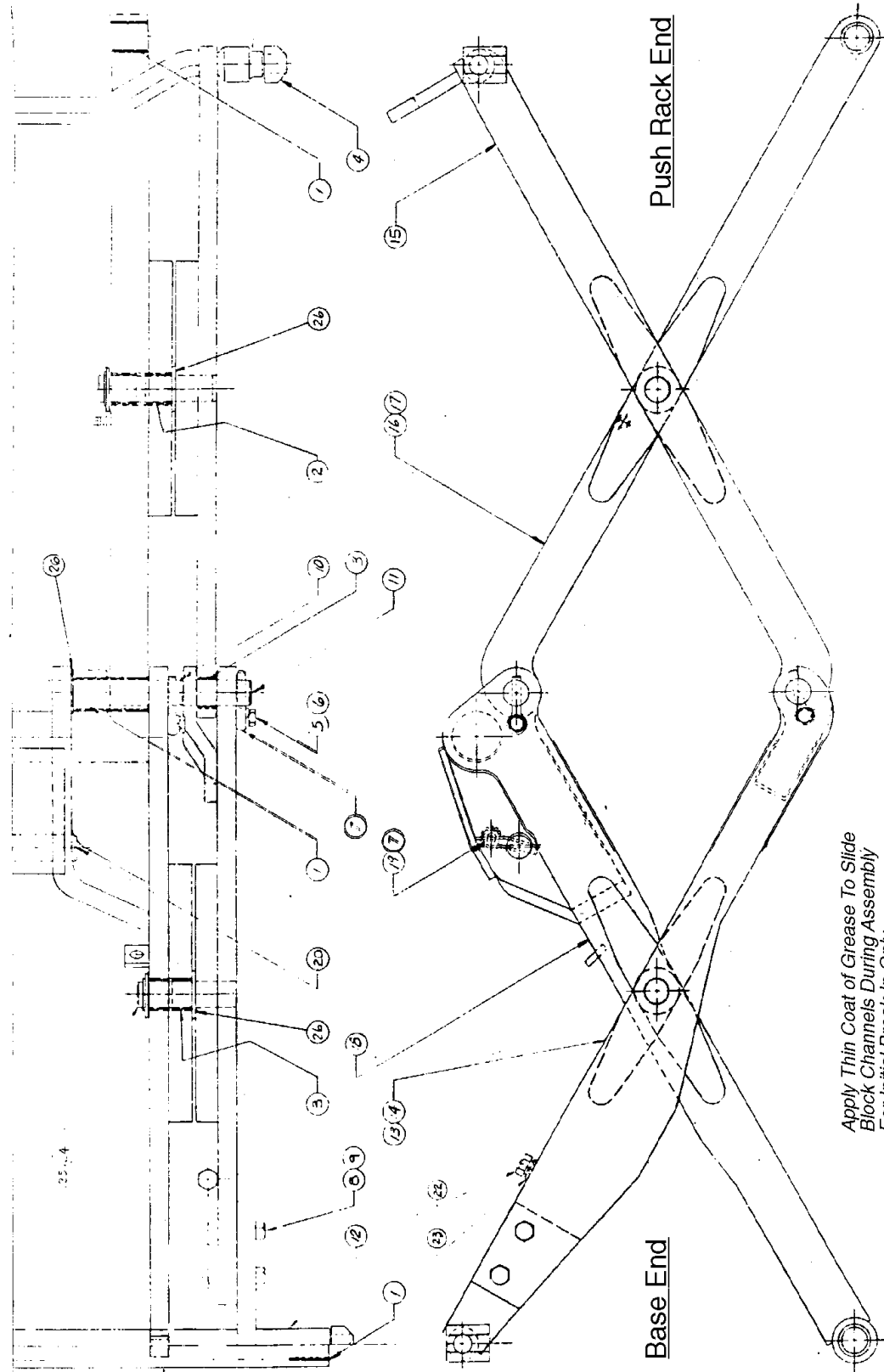


MODEL NO.: PANG035A1548

DESCRIPTION: DEDICATED PUSH PULL NSS

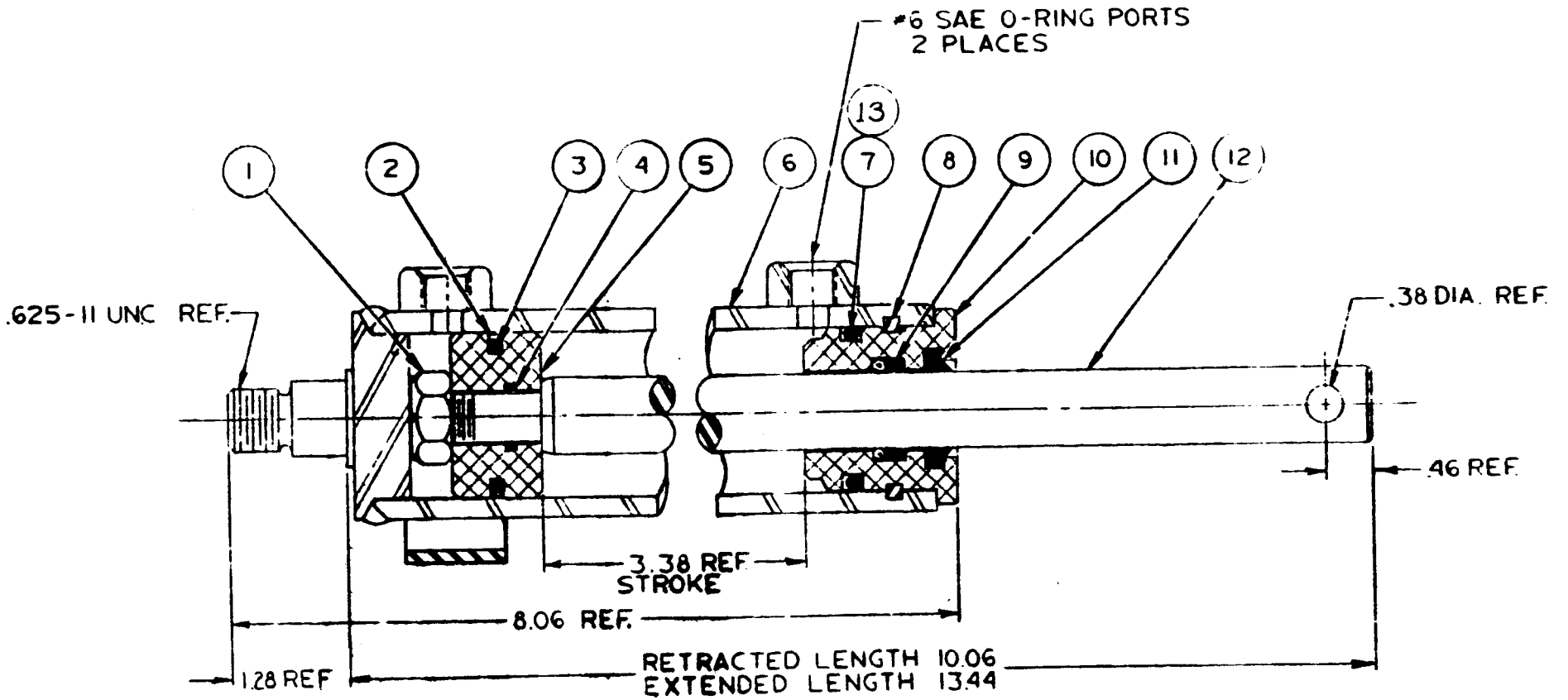
REFERENCE	PART NO.	DESCRIPTION	QUANTITY
W ITEM 20	433461	CLAMP TUBE A	5
W ITEM 22	04E-05	WASHER .31 LOCK SPLIT PLTD HB	4
W ITEM 23	445022	PIN 1-HOLE 1.00 X 3.78 A	2
W ITEM 24	449412	PIN RD 1.00 X 5.33 A	1
W ITEM 25	445028	JAW WDMT D	1
W ITEM 26	445283	BAR GRIPPER C	1
W ITEM 27	445285	GUIDE BLOCK B	4
W ITEM 28	445286	SHOE C	1
W ITEM 29	445322	CYL HYD 1.63X3.38(.75)SPL *C	2
W ITEM 30	446980	TUBE ASSY HYD D	1
W ITEM 31	445417	PIN RD .38 X 1.94 A	2
W ITEM 32	445420	TUBE ASSY HYD 445420+445421	1
W ITEM 33	445422	TUBE ASSY 445422+445423	1
W ITEM 34	445445	VALVE SEQUENCE CP10858 C	1
W ITEM 35	01C-0516	CPSCR .31UNC X 1 GRD 5 PLTD	2
W ITEM 36	832-0606	FTG 37 BKHD STR UN 06-06	5
W ITEM 37	21C-0820	CPSCR .50UNC X 1.25 HEX P/L	8
W ITEM 38	04E-08	WASHER .50 LOCK SPLIT PLTD HB	8
W ITEM 40	863-0606	FTG 37 SW ELL UN 06-06	1
W ITEM 41	01C-0510	CPSCR .31UNC X .63 GRD 5 PLTD	2
W ITEM 42	433461.01	TUBE CLIP A	2
W ITEM 46	820-06	FTG 37 CAP 06	2
Y ASSY DWG	096001	PLATEN GROUP 3500# 15W X 48U D	1
Y ITEM 01	448129	PLATEN WDMT RH PMG 15X48U D	1
Y ITEM 02	448130	PLATEN WDMT LH PMG 15X48U D	1
Y ITEM 03	436622	PLUG A	4
Y ITEM 04	434568	SHIM DISC 1.13 OD .012 THK A	20
Y ITEM 05	436131	PIN SPL LOCK 1.60L A	2
Y ITEM 06	436620	SPRING PL A	2
Y ITEM 07	436138	PULL RING P/N; RING 321221	2
Y ITEM 08	21C-0616	CPSCR .38UNC X 1 HEX P/L	2
Y ITEM 09	092498	CYL HYD 3.25X10.75(1.5) D	1
Y ITEM 10	21C-0812	CPSCR .50UNC X .75 HEX P/LOK	2
Z ASSY DWG	099022	BASE ASSY II NSS C	1
Z ITEM 01	091970	BASE WDMT II 40W PMG D	1
Z ITEM 02	439111	SLIDE TOP B	2
Z ITEM 03	099019	MID-PL 36W PMG/SMG B	1
Z ITEM 04	449624	BAR DRILLED NSS ITA II B	1
Z ITEM 05	25G-1024	CPSCR .63UNC X 1.5 B/H SOC	2
Z ITEM 07	443456	PIN DETENT .50 X 6.0 A	2
Z ITEM 08	443442	RETAINER PMG A	2
Z ITEM 10	445404	PIN LOK .41 X 1.31 A	1
Z ITEM 11	01C-0616	CPSCR .38UNC X 1 GRD 5 PLTD	1
Z ITEM 12	04E-06	WASHER .38 LOCK SPLIT PLTD HB	1
Z ITEM 13	445025	PIN 1-HOLE 1.00 X 28.50 A	1
Z ITEM 16	65D-10	NUT .63UNC ESNA LOCK JAM	2
Z ITEM 17	099758	RETAINER A	1

LINK ASSEMBY W/ARM RETENTION  
090682



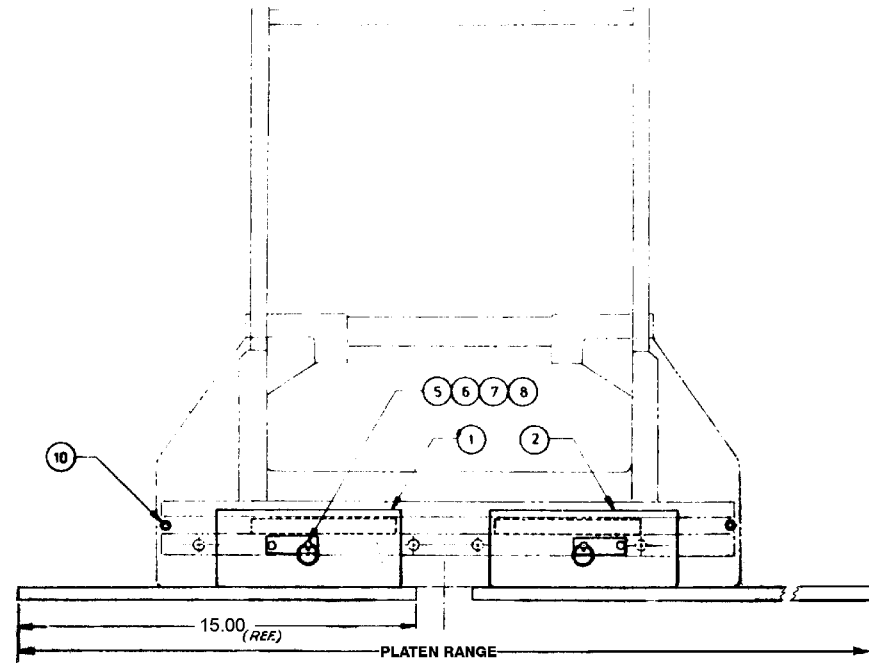
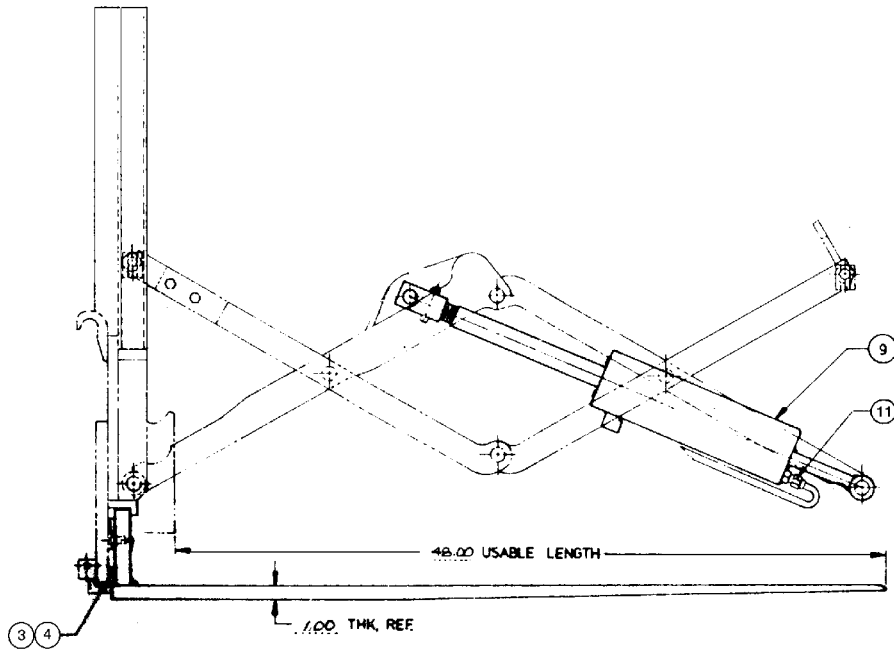


# HYDRAULIC CYLINDER 445322

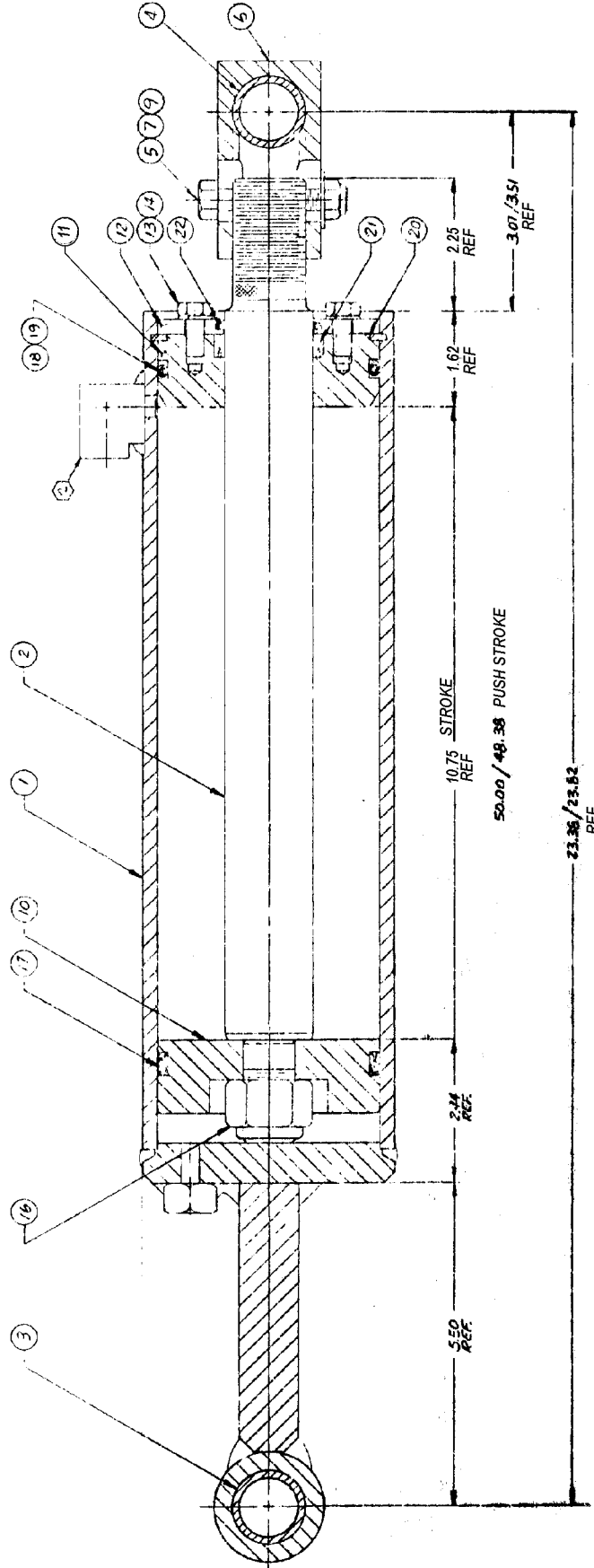


# PLATEN GROUP 096024

NOTES: 1) FORK SIZE = 1.5 - 1.75 THICK  
4.00 - 5.00 WIDE



HYDRAULIC CYLINDER  
092498



BASE ASSEMBLY  
099021

